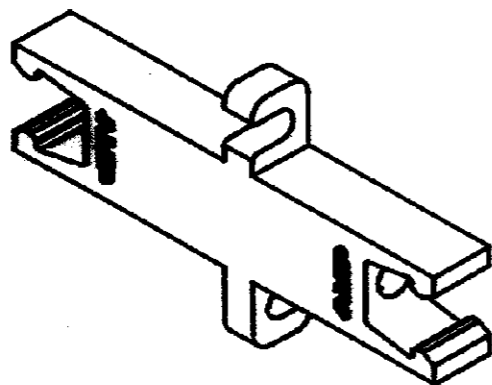
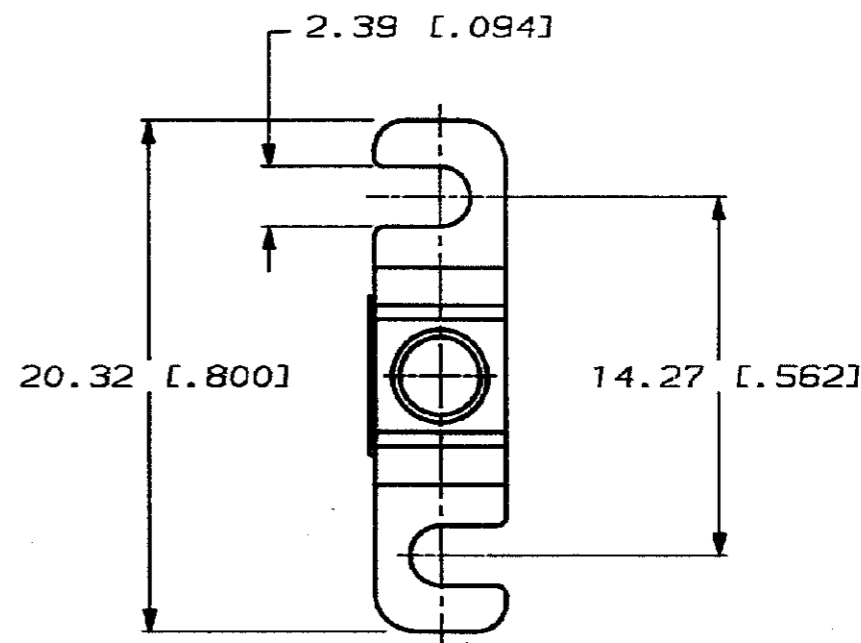
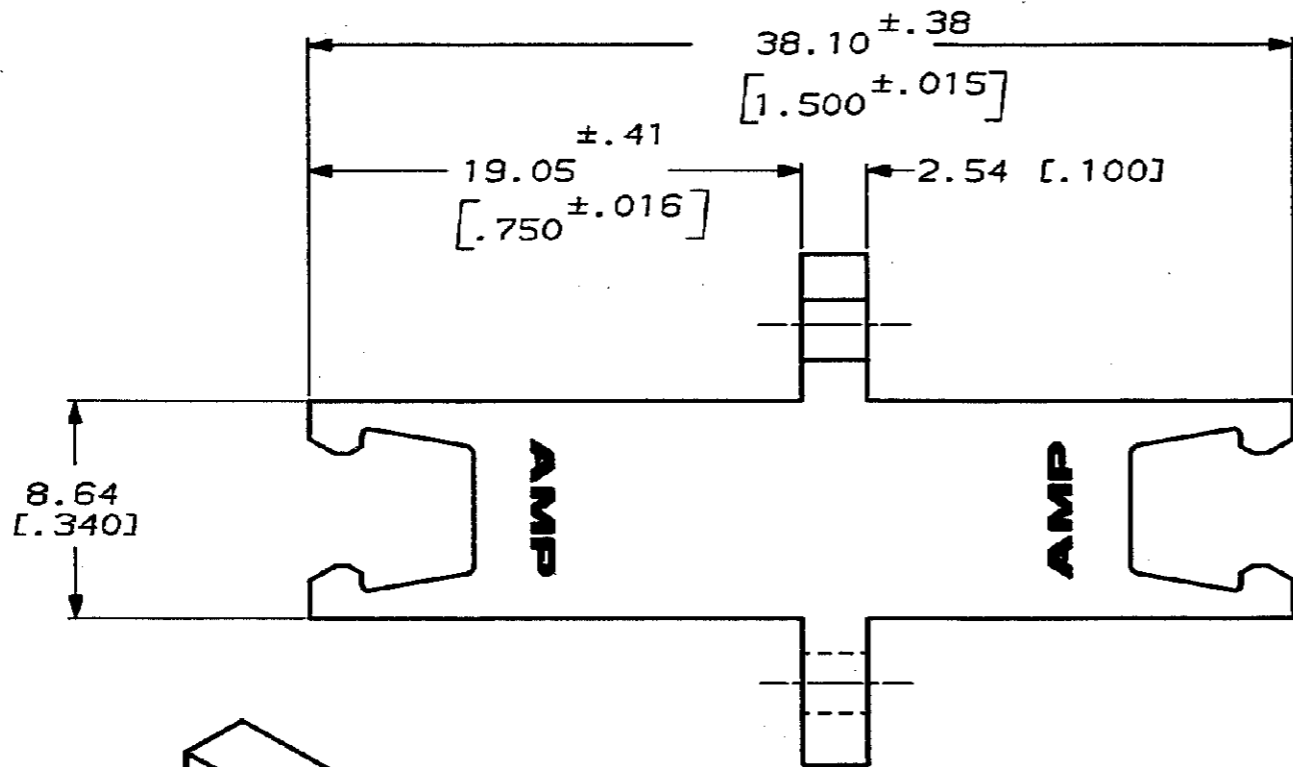


DRAWING MADE IN THIRD ANGLE PROJECTION

THIS DRAWING IS UNPUBLISHED. RELEASED FOR PUBLICATION
 © COPYRIGHT 19 BY AMP INCORPORATED, HARRISBURG, PA. ALL INTERNATIONAL RIGHTS RESERVED. AMP PRODUCTS MAY BE COVERED BY U.S. AND FOREIGN PATENTS AND/OR PATENTS PENDING.

LOC	DIST	P	F	ZONE	LTR	DESCRIPTION	DATE	APPROVED
CE	16				D	REDRAW W/ CHG CE-660	9/15/86	[Signature] / aEP

228042-1 1. DIMENSIONS IN [] ARE IN INCHES
 2. PRODUCT INTERMATEABLE WITH
 DNP CONNECTORS PER IS 2974



METRIC

UNLESS OTHERWISE SPECIFIED DIMENSIONS ARE IN MM TOLERANCES ON:		DR [Signature] 9/15/86		PART NO	
2 PL DEC ± .25 [.010]		APPD [Signature] 9-15-86		AMP INCORPORATED Harrisburg, Pa. 17105	
3 PL DEC ± -		APPD aEP/ltb 9-15-86		NAME SGL POSITION BULKHEAD RCPT, DNP, OPTIMATE	
ANGLES ± -		APPD [Signature] 9-15-86		SIZE B	
MATERIAL THERMOPLASTIC COLOR: BLACK		PRODUCT SPEC 108-45104		FSCM NO 00779	
FINISH -		APPLICATION SPEC IS SHEET 2974		DRAWING NO 228042	
		WEIGHT 1.7 G		SCALE 4:1	
				SHEET 1 OF 1	